

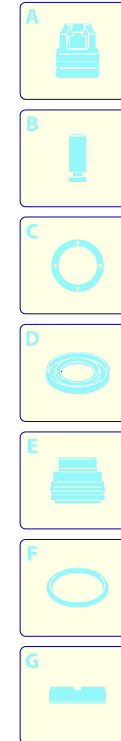
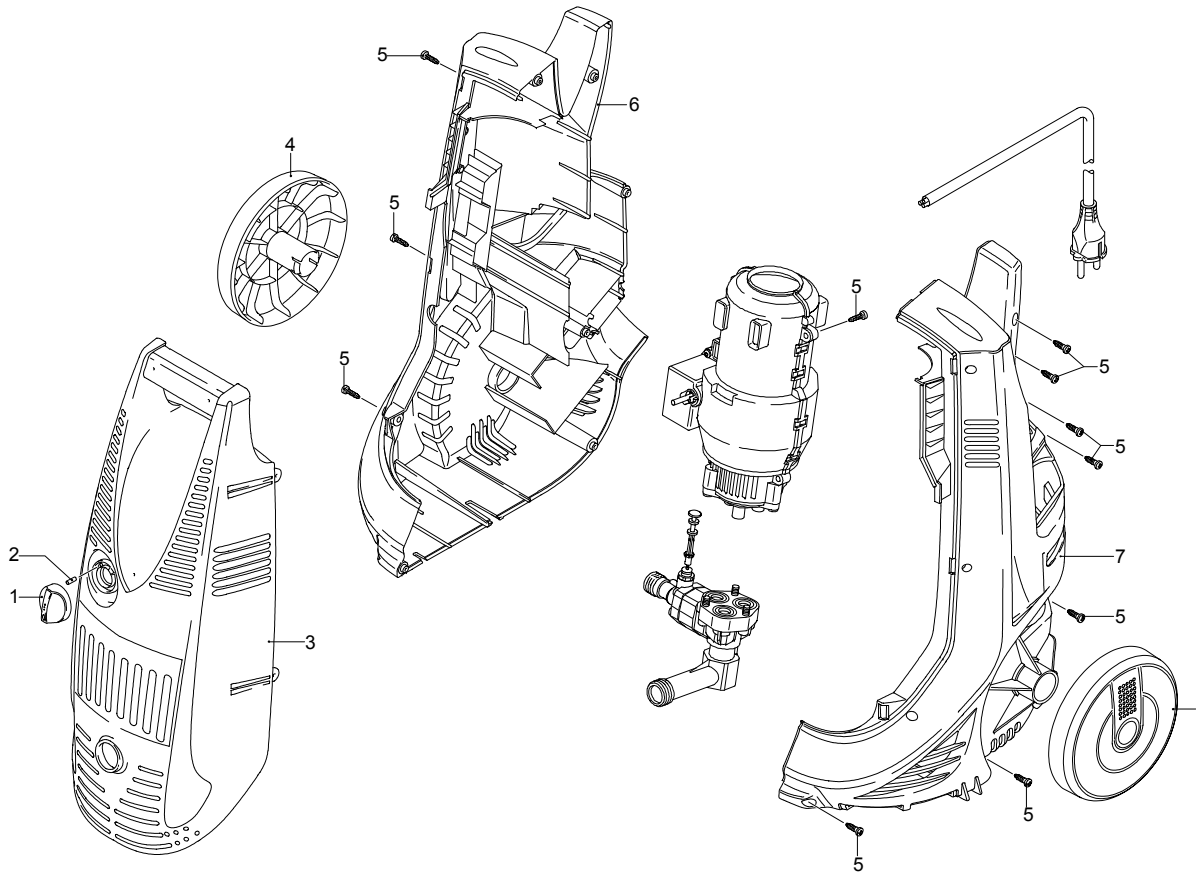
Model PW 1500 WP

Serial number:

Code:



Electrical connection:



Pos.	Code	Description	Q.ty
1	2560380	Knob	1
2	2560490	Pin	1
3	2860200	Orange casing	1
4	2440071	Wheel	2
5	2100300	Screw	16
6	2860170	Black casing	1
7	2860160	Black casing	1

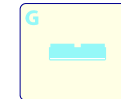
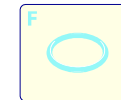
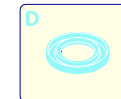
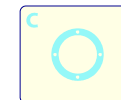
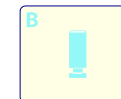
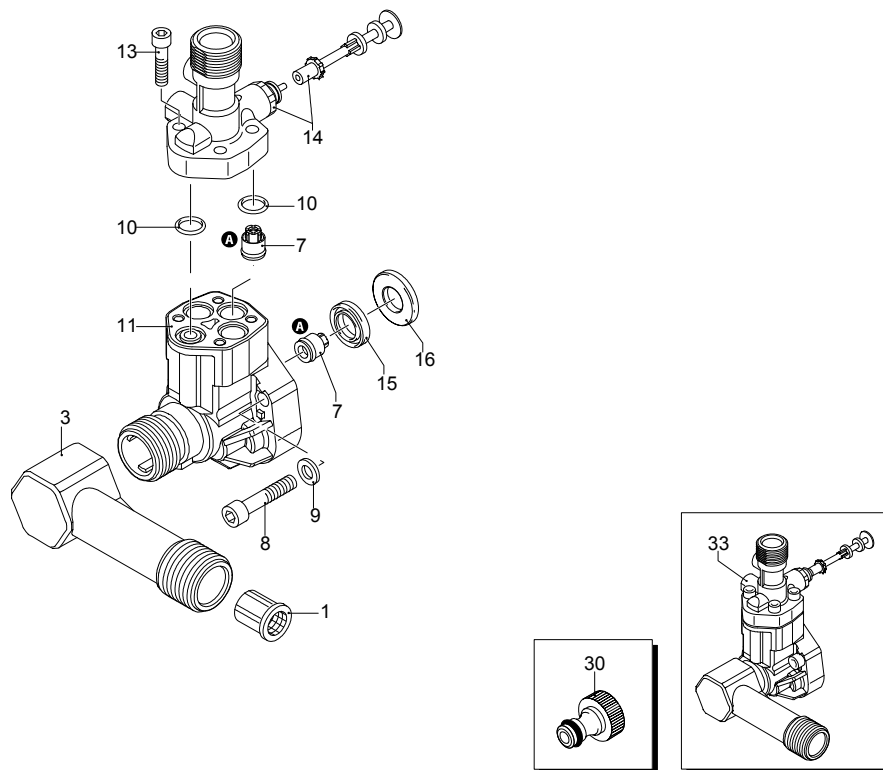
Model PW 1500 WP

Serial number:

Code:



Electrical connection:



Pos.	Code	Description	Q.ty
1	1340260	Filter	1
3	2560700	Fitting	1
7	2109050	Valve	6
8	850850	Screw	3
9	2560690	Washer	3
10	880840	O-ring	4
11	2560450	Head	1
13	2560720	Screw	4
14	2261	Fitting assembly	1
15	2101120	Water seal	3
16	2020041	Ring	3
30	1461470	Fitting	1
33	2207	Head assembly	1
A	2574	Valve kit	1

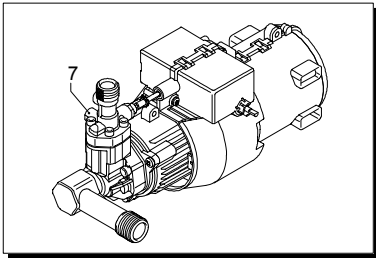
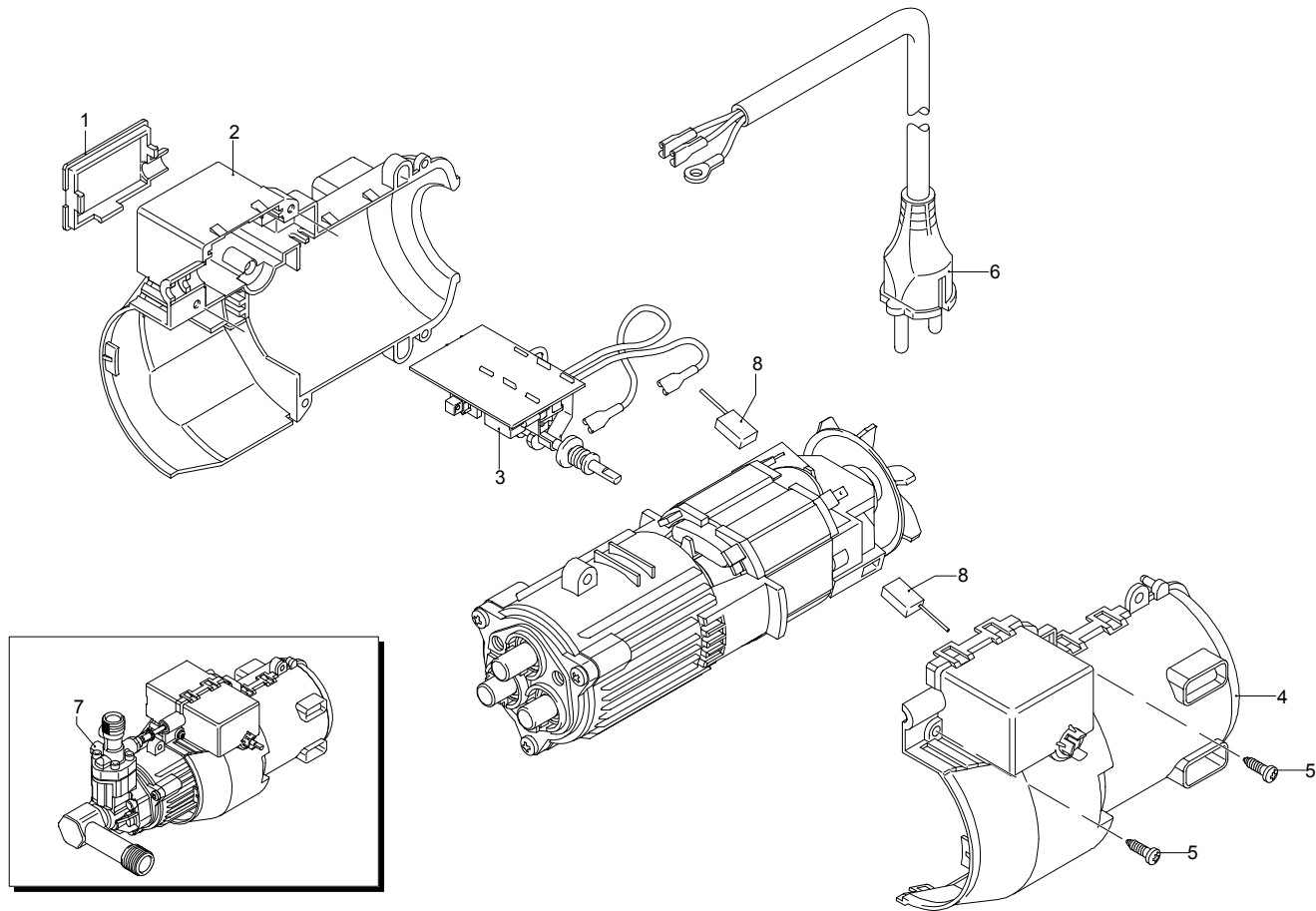
Model PW 1500 WP

Serial number:

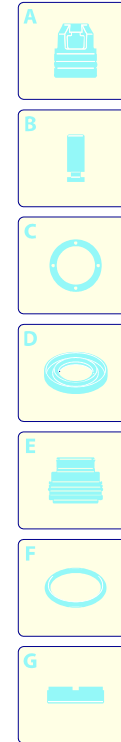
Code:



Electrical connection:



UN_CE_0142-KX



Pos.	Code	Description	Q.ty
1	2560350	Cover	1
2	2560130	Conveyor	1
3	2560390	2-speed switch	1
4	2560120	Conveyor	1
5	2100300	Screw	2
6	2560900	Cable	1
7	2569508	Electric pump assembly	1
8	2260	Brush kit for motor	1

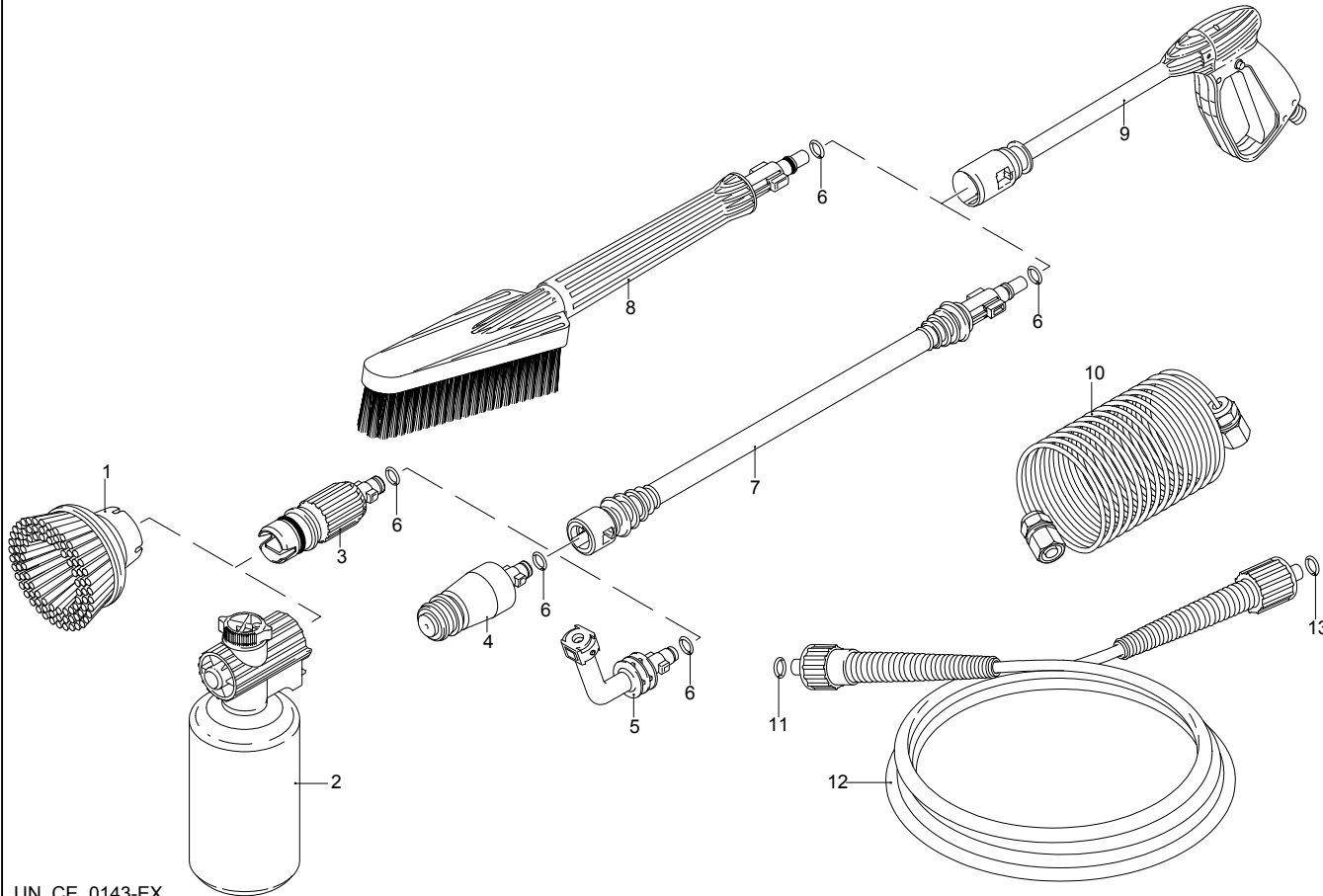
Model PW 1500 WP

Serial number:

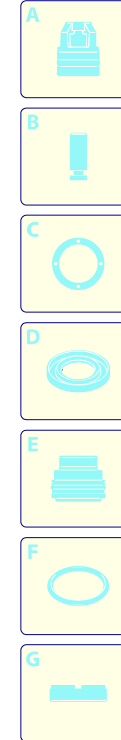
Code:



Electrical connection:



UN_CE_0143-EX



Pos.	Code	Description	Q.ty
1	40511	Lance head brush	1
2	40530	Tank	1
3	40671	Lance head	1
4	40344	Rotopower head	1
5	40572	Lance head	1
6	1680220	O-ring	5
7	40667	Lance	1
8	40417	Fixed brush	1
9	40666	Gun	1
10	40679	Pipe	1
11	1080250	O-ring	1
12	2620400	High pressure hose	1
13	2000770	O-ring	1