

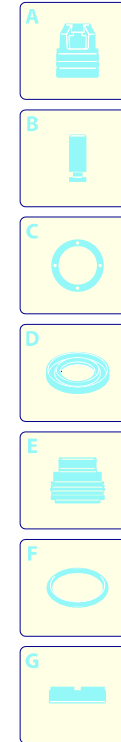
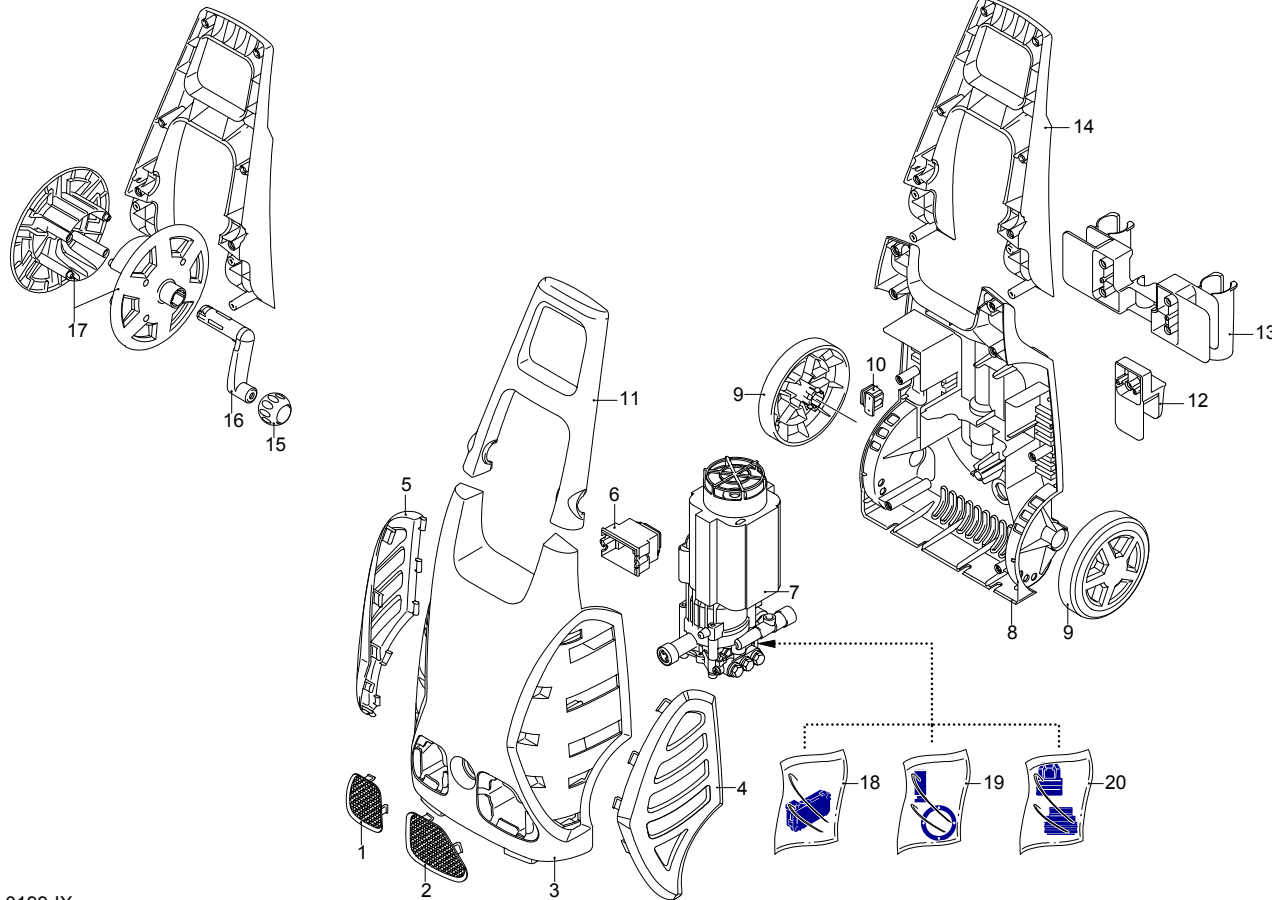
Model PW 1700 SPM

Serial number:

Code:



Electrical connection:



Pos.	Code	Description	Q.ty
1	3080620	Grille	1
2	3080630	Grille	1
3	3081200	Orange casing	1
4	3080270	Door	1
5	3080260	Door	1
6	3080170	Box	1
7	3081220	Electric pump assembly	1
8	3080100	Base	1
9	3080150	Wheel	2
10	3080580	Cable gland	1
11	3080230	Handle	1
12	3080280	Accessories carrier	1
13	3080190	Accessories carrier	1
14	3080210	Handle	1
15	3080680	Knob	1
16	3080220	Lever	1
17	3080200	Plate	1
18	3081280	TSS kit	1
19	3081270	Piston + seals kit	1
20	3081290	Valves + seals kit	1

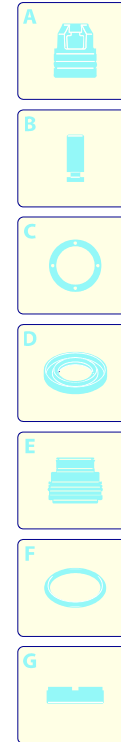
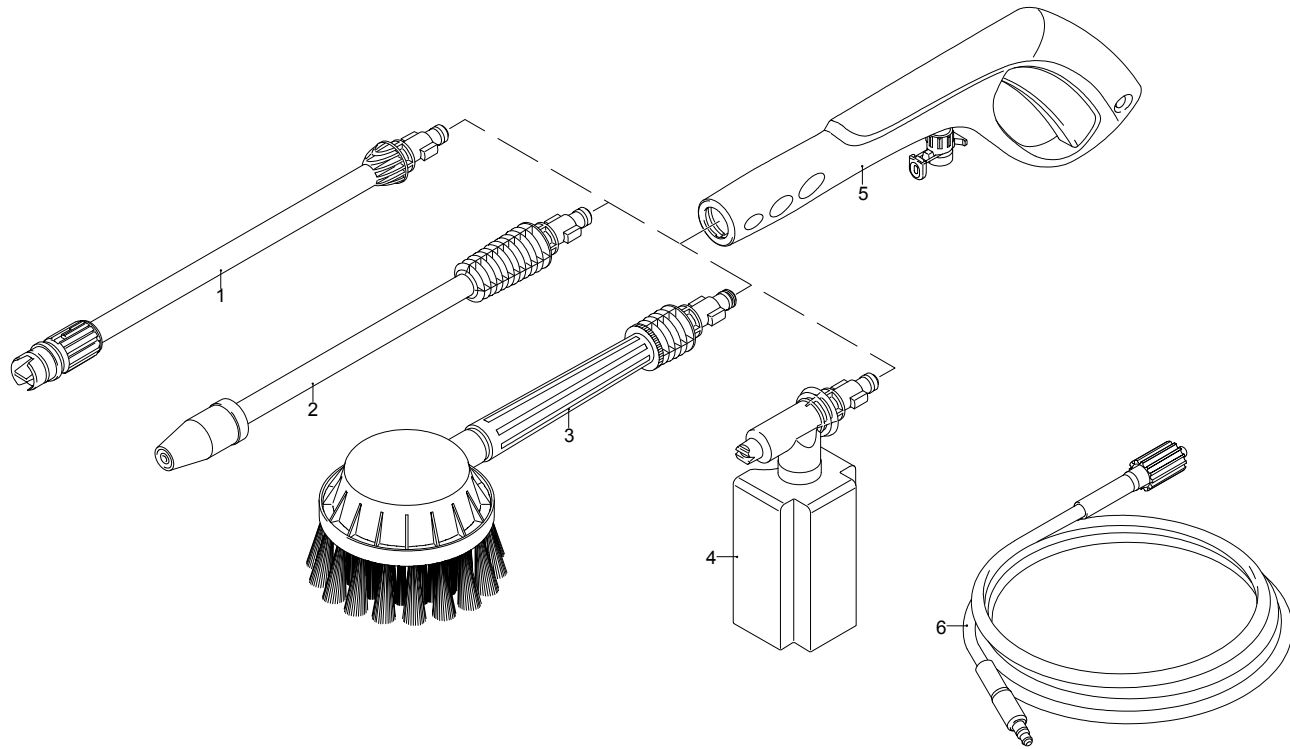
Model PW 1700 SPM

Serial number:

Code:



Electrical connection:



Pos.	Code	Description	Q.ty
1	50975	Lance head	1
2	50976	Lance+rotopower	1
3	40594	Roller brush	1
4	50972	Tank	1
5	50991	Gun	1
6	50969	High pressure hose	1